

Tstat4 SERIES THERMOSTAT

DESCRIPTION

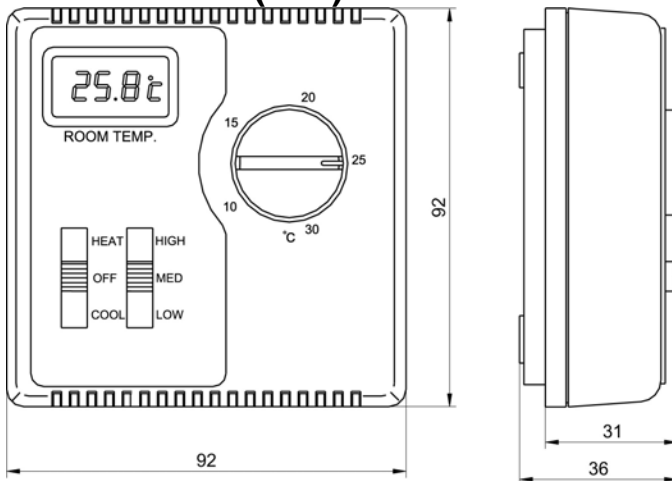
Tstat4 Series are manufactured perfectly. They are widely used in commercial, industrial and residential buildings, and suitable for room temperature control of heating, cooling or year-round air-conditioning system, especially for fan coil, electrical heater, etc. The thermostat is highly sensitive, easy-installation and reliable. They also have digital liquid crystal display (LCD) thermometer, which can measure the ambient temperature accurately, and use more conveniently.



SPECIFICATIONS AND TECHNICAL DATA

MODEL	Tstat4 type A	System: HEAT-OFF-COOL; Fan: HIGH—MED—LOW
	Tstat4 type B	System: ON-OFF; Fan HIGH—MED—LOW
	Tstat4 type C	System: HEAT-OFF-COOL; 4-PIPE; Fan: HIGH—MED—LOW
WORKING RANGE		10~30°C (50~86°F)
TEMPERATURE DIFFERENCE		Approximately 0.5~0.8°C (1~2)°F
SENSITIVE ELEMENT		Unipolar gas filled bellow
RATED CURRENT AND VOLTAGE		Thermostat 1A 250V AC Fan switch 6(2)A 250V AC
WIRING CONNECTION		Screw terminals
HOUSING	MATERIAL	Hard fireproof plastic
	COLOR	Milk white
LCD DISPLAY	DISPLAY MODE	Digital LCD
	POWER SUPPLY	DC 5V ±5% (Supplied by the thermostat itself)
	DISPLAY RANGE	10~40°C (50~99°F)
	DISPLAY DIFFERENTIAL	0.5°C (1°F)
	PRECISION	(at 10°C~40°C) ±0.5°C; (at 50~99°F) ±1°F

DIMENSIONS (mm)



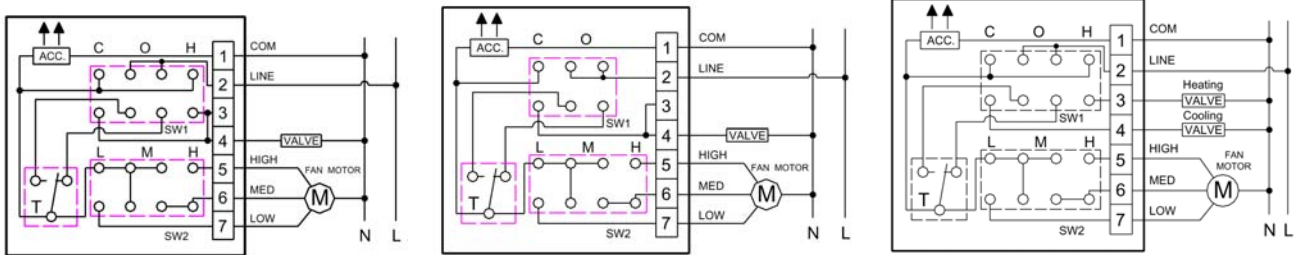
FEATURES

- Hard Flameproof plastic base and cover.
- One-piece construction design for easy installation.
- System “OFF” position breaks all circuits.
- No leveling and vibration problems.
- LCD thermometer can measure ambient temperature accurately and use easier.

INSTALLATION INSTRUCTION

1. Mount the thermostat vertically on the wall in the air-conditioned room. It should be 1.5m above the floor so that it can measure the room temperature accurately with enough air passing through.
2. Install the thermostat in the place without direct shining and from cooking device or other heat sources.
3. Loosen the screw on the top of the cover (but don't take them out to avoid losing). Remove the cover according to the Installation Diagram (Notice: There are connecting wires inside. Do not use too much force.) Pull out carefully the plug of the thermometer connector under the cover. Please only pull out the plug but not the wires directly to avoid broken.
4. Pass the wire through the left-up rectangle hole of the base, and connect with the terminals tightly according to the codes. (Notice: Do not disassemble the temperature adjusting knob.)
5. Fix the base on the connection box with screws.
6. Insert the plug back to the connector in right direction (Bulgy is up), which is pulled out previously. Fix the cover, make sure there is nothing pressing on the wires, and finally tighten the screw.
7. The optional standard connection box is wall-mounted with screws and standard terminals. The size is 86x86x32. Details are shown on the Installation Diagram.

WIRING DIAGRAM



Tsatt4 type A

Tstat4 type B

Tsat4 type C

INSTALLATION DIAGRAM

