

Descriptions

The CS Current Sensor is a solid state transducer for measuring the current in fans, pumps and other HVAC equipment. Select one of three ranges by moving a jumper on the device to operate over 10A, 20A and 50A. This sensor outputs 0-5V directly and requires no power supply.

Clamping / Split Core Current Transformer is designed to provide a low cost method to monitoring electrical current. A unique hinge and locking snap allows attachment without interrupting the current-carrying wire. High secondary turn will develop signals up to 10Vac across a burden resistor.

Features

1. Self powered, no external power supply required
2. 1-5VDC output, connects directly to automation systems
3. One sensor for three ranges, jumper selected
4. Low cost, replaces digital status relays
5. Panel mounting

Specifications

Power Supply: Not required
 Operating Temperature: -20 ~ 60 OC
 Operating Humidity: 0 ~ 95% RH
 CT Material: ABS (UL94)
 CT Ranges: 10, 20, 50Amp, jumper selected
 Output Signal: 1~5VDC; proportional to average current
 Accuracy: 2%
 Plastic housing: Flammability rating UL94HB

Key Specifications

Window Size	0.4" (10 mm)
Current Range*	0.25 - 40A AC
Output	300 mV @ 20A AC
Ratio Error**	<0.5% from 0.25 to 40AAC (typical)
Phase Error**	<1.5° from 1 to 40A C <2° from 0.25 to 1AAC

Clamping Style



5V DC output

Raw 16.67mA AC current transformer output



Non Clamping Style

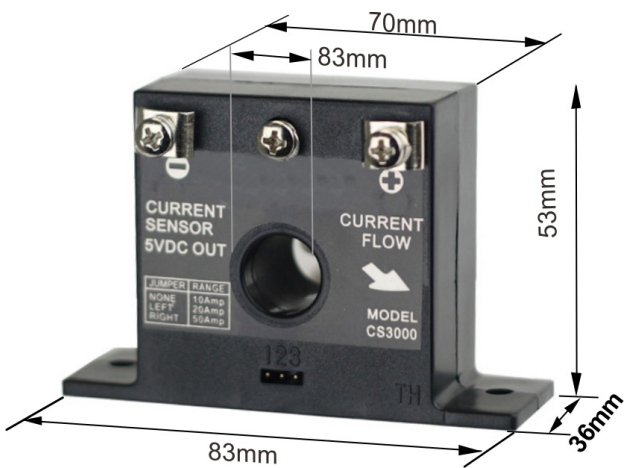
DC output



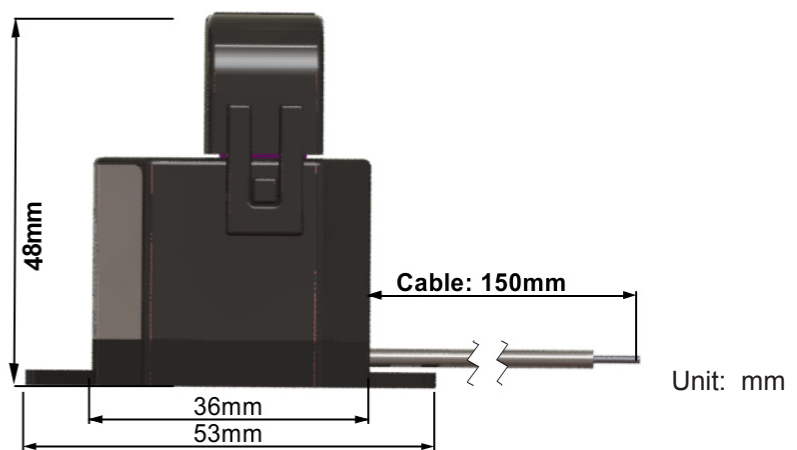
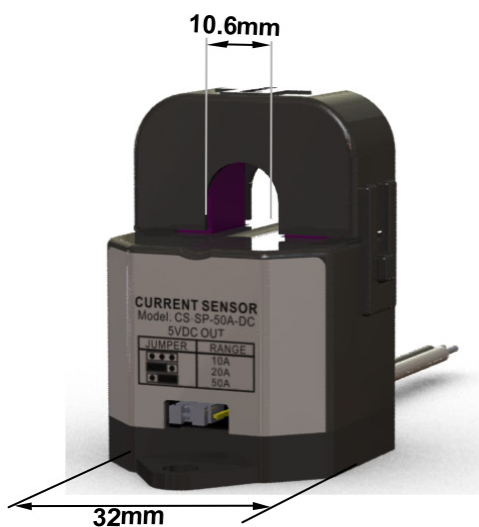
Electrical

Output	300 mV @ 20 A
Wire Polarity	Red = Hi, positive(+) Black= Low, negative(-)
Phasing Orientation	Arrow On Case Points Toward Load
Frequency Range	50 to 400 Hz

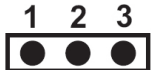


Mechanical



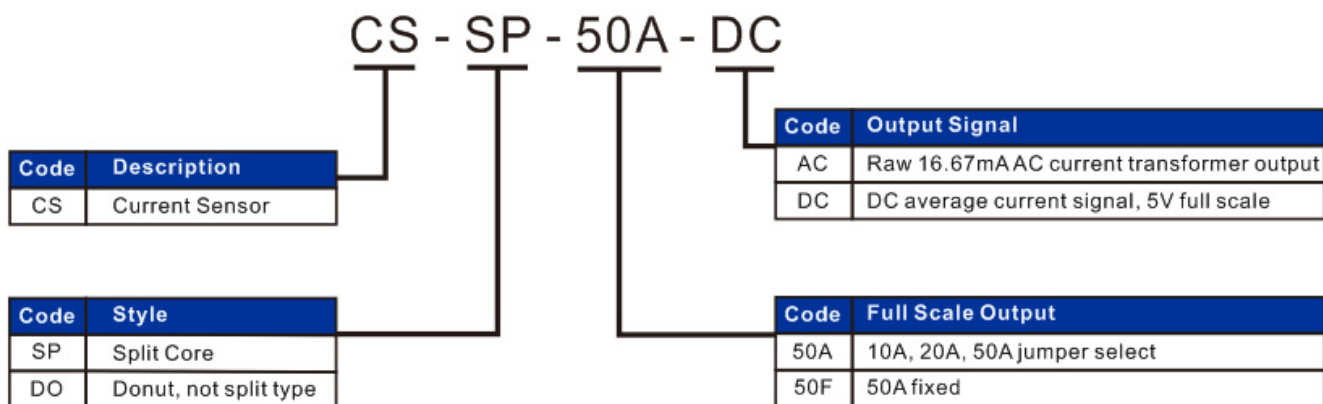
Case Material	Back Nylon
Leads 2.4 M (8')	600 V. 20 gage
Working Temperature	15 to 60 °C (59 to 140 °F)



Specifications

JUMPER	RANGE
	10A
	20A
	50A

Part Number Scheme



Ordering information

Part Number	Description
CS-DO-50A-DC	Non clamping current sensor, AC input, range 10A, 20A, 50A jumper select, 0-5VDC out.
CS-SP-50F-AC	Rated Primary Current 50A, raw 16.67mAAC current transformer output.
CS-SP-50A-DC	Clamping current sensor, AC input, range 10A, 20A, 50A jumper select, 0-5VDC out.